

# Advance Concrete 7.1 SP2 Content



[www.graitec.com](http://www.graitec.com)

## TECHNOLOGY

### Layer manager corrections

→ Layouts in folders are now correctly displayed in the « Documents » tab of the Layer manager.

→ Now the local cuts layers are not attached to layouts.

→ No more extra layers attached to viewports

### Characters not allowed in layer naming

Special characters like <>^";?\*,= ` ... are not allowed in the drawings layer names. Advance automatically eliminates them.

### Drawings layer naming corrections

→ The isometric views layers are now correctly named.

### Dxf

→ Some saving dxf errors have been fixed.

### Settings and libraries for UK

→ United Kingdom and the related libraries have been added in the starting wizard: bar library, fabric library, currencies,...

## **MODEL**

### **Openings – Renaming improvement**

→ The renamed openings keep the new name after quitting the project.

### **Openings – Representation improvement**

→ Corrections of opening representation in the model.

### **Structural elements – Improved naming algorithm**

→ The « Break elements » tool does not affect name assignation for linear elements created afterwards.

### **Level numbering correction**

→ The levels are now correctly numbered after bottom levels are renamed.

### **Piles catalog**

→ It is possible now to close the pile catalog after deleting all lines.

### **Model – Beam representation in 3D orbit**

→ Improved beam representation in 3D orbit.

### **Model – Linear elements flip grip**

→ Switching start and end points works fine now for stairs and beams with rotated section. Also, the flip grip is correctly positionned.

→ All the beam properties stay on location after flipping.

## REINFORCEMENT

### Reinforcement – Straight bar

→ No more “invalid input” errors during straight bars creation with correct input.

### Reinforcement – 3D bar creation

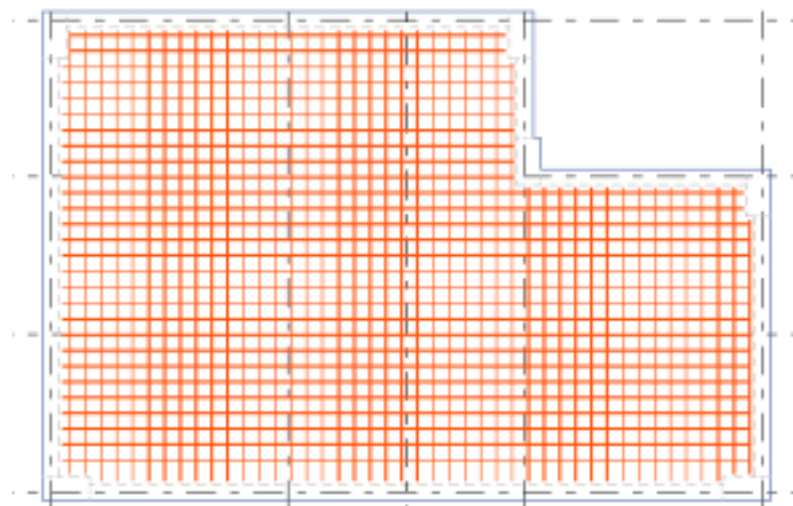
→ Corrections in 3D bar creation: no more error message.

### Reinforcement – Break bar

→ Small corrections in the break bar tool: the bar does not disappear anymore.

### New repartition tool

→ A new command allows creating a bars field on a specified surface. The tool creates two repartitions. After creation the contour cannot be modified but you can modify the bars and repartitions parameters.



### Bar repartitions

→ No more crashes at polygonal bar linear repartition creation.

### Reinforcement – Mirror repartition

→ Corrections of displaying mirrored repartitions of a bar with hook and anchors.

## Numbering – Repartitions

→ Corrected problems in numbering repartitions with different bar lengths.

## Numbering improvement – broken bars

→ Bars are numbered correctly after breaking.

## Fabrics – Save representation style

→ Correction in saving fabrics representation styles. All modifications are now kept.

## Bent fabric representation

→ The bent fabric is correctly displayed while moving by drag&drop.

→ The central grip point is always kept now inside the fabric contour.

## Fabrics – Grip points corrections

→ No more problems on moving the central grip point of a bent fabric panel in a bent fabric repartition.

→ Central grip points are placed correctly after mirroring a bent fabric repartition.

## Automatic reinforcement – Circular slab

→ Improved reinforcement of circular slabs and slabs with curved sides.

## Automatic reinforcement – Lintel

→ The lintel reinforcement display in the top view has been improved.

→ Improvements in lintel automatic reinforcement. The cover is now taken into consideration.

## Automatic reinforcement – Circular column

→ Now it is possible to create a hook angle of 0° for the circular frames.

## Automatic reinforcement – Wall

→ Corrections in wall with opening automatic reinforcement.

## **Reinforcement – Copy**

Fixed problem causing bars quantity loss after copy operations.

## **Reinforcement – Bending detail**

→ No more crash on copying bending detail.

## **Lists update correction**

→ Now the link to source objects is kept after updating the list on the drawing.

## **Romanian list template**

→ A new list template with bar details and footer recapitulative has been created for the Romanian market.

## DRAWINGS

### Dimensions – Associative dimension

→ The associative dimensions can be scaled now in AutoCAD 2007.

### Dimensions – Level dimension

→ The « Copy top level with dimensions » command now keeps the level dimensions grip points.

### Grid display

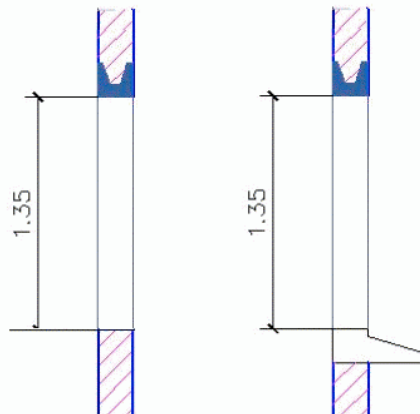
→ Grid axis display in reinforcement drawings has been corrected.

### Drawings update

→ The drawings are marked for update on changing reinforcing style.

### Dynamic block

→ The lintel and sill dynamic block creation has been reviewed. Now the dynamic blocks are placed outside the opening so that the opening height is unchanged.



### Dynamic block

→ Dynamic blocks are unchanged on exploding slab openings.

### Isometric views – improved representation

→ Some problems with extra lines display in isometric views have been corrected.

→ Improved representation of lintels in curved walls in isometric views.