

Advance - Concrete suite 5.2

SP1

Content

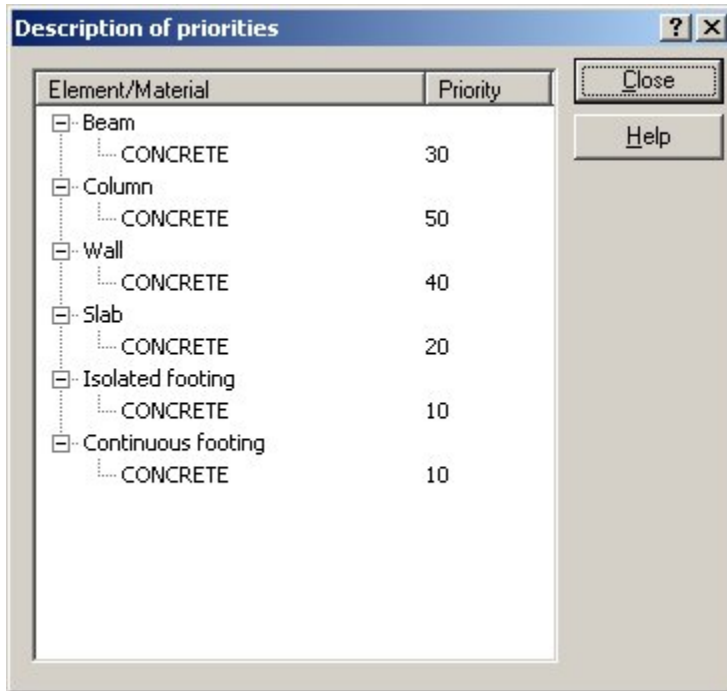


www.graitec.com

MODEL

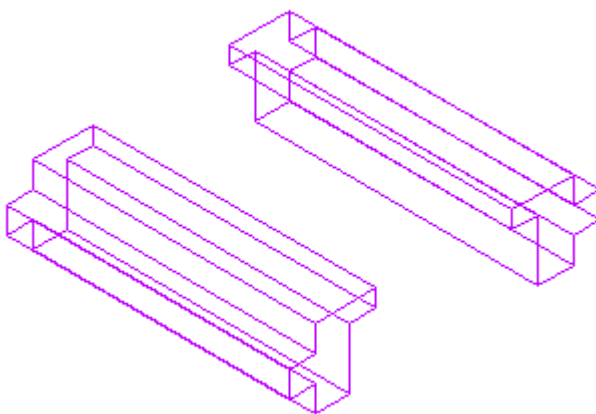
1. PRIORITIES COMMAND ON LARGE DRAWINGS.

The time to open dialog is now significantly improved.



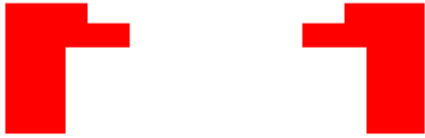
2. MIRROR OF BEAM SECTIONS

Corrected defect when mirroring this type of beams:



3. MIRROR OF PF25, PF15 AND PF27 COLUMNS

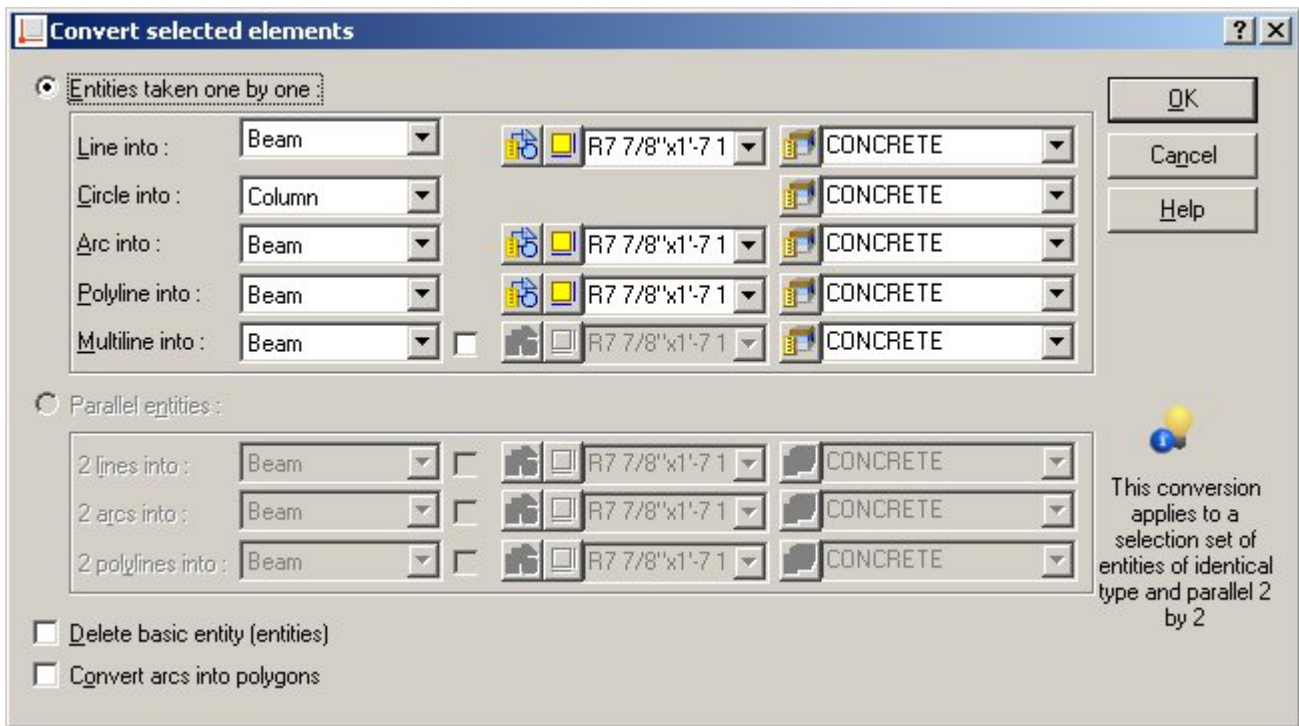
The defects mirroring this type of columns are now corrected.



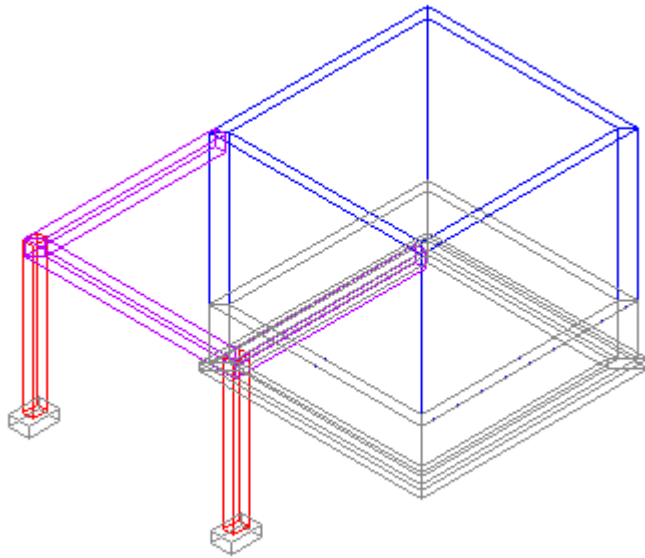
4. STRETCH ON SLAB NO LONGER MOVES THE SLAB OPENINGS

5. REQUALIFICATION TOOL WITH IMPERIAL UNITS.

The problems with imperial system input have been corrected.



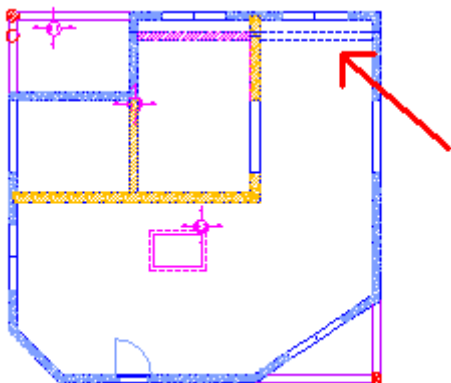
6. FOUNDING DETECTS FOOTINGS ON UPPER LEVEL



VIEWS

7. TOP/BOTTOM VIEW CALCULATION

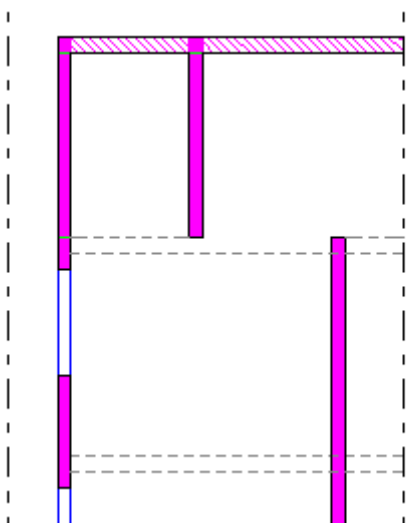
Various calculation errors have been corrected:



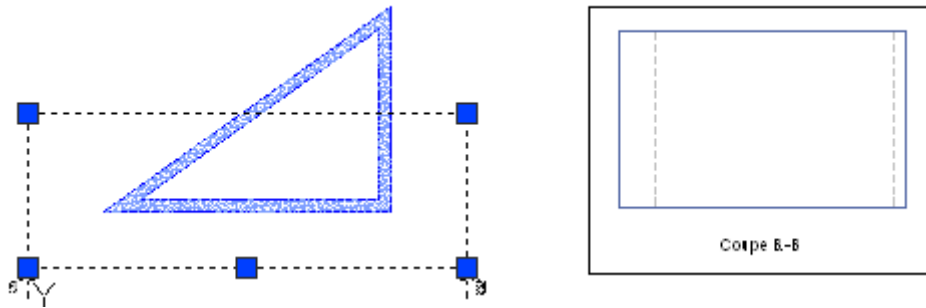
The performance on large models has been somewhat improved.

8. SECTIONS CALCULATION

Several calculation errors have been corrected:

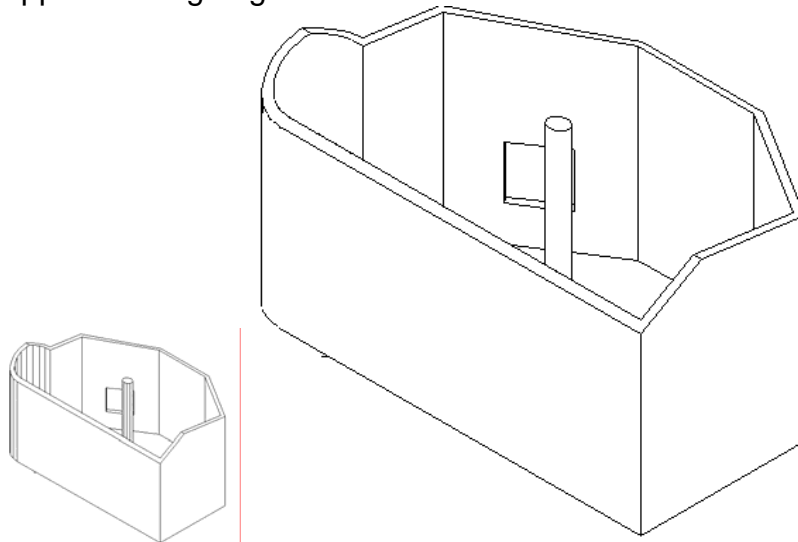


9. SECTIONS: EDGES FROM BACK PLAN ARE REMOVED



10. VIEWS ON ROOF BOUND ELEMENTS

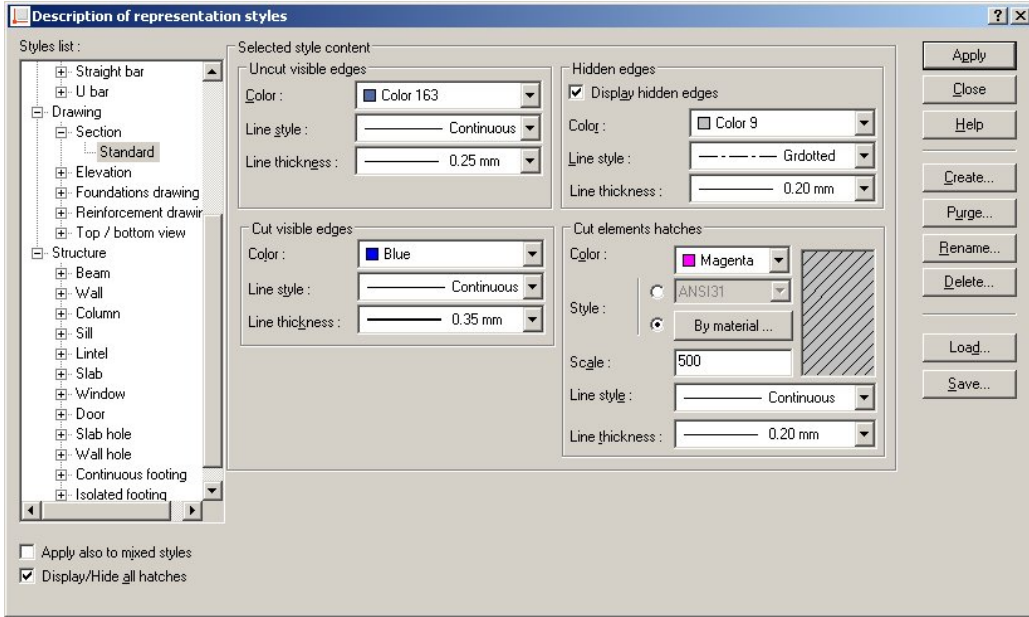
Approximating edges are now removed.



11. ELEVATIONS: FUSION IS NOW CALCULATED DEPENDING ON MATERIAL AND PRIORITY

12. SECTION REPRESENTATION STYLE MODIFICATION

The defect applying sections representation style has been corrected.



13. EXPORT TO DWG FLATTEN DRAWING

Several cases where export to dwg did not produce a 2-d drawing have been improved.

14. EXPORT TO DWG: BARS LINETYPE

The reinforcement bars line type is now correctly exported to AutoCAD drawings.

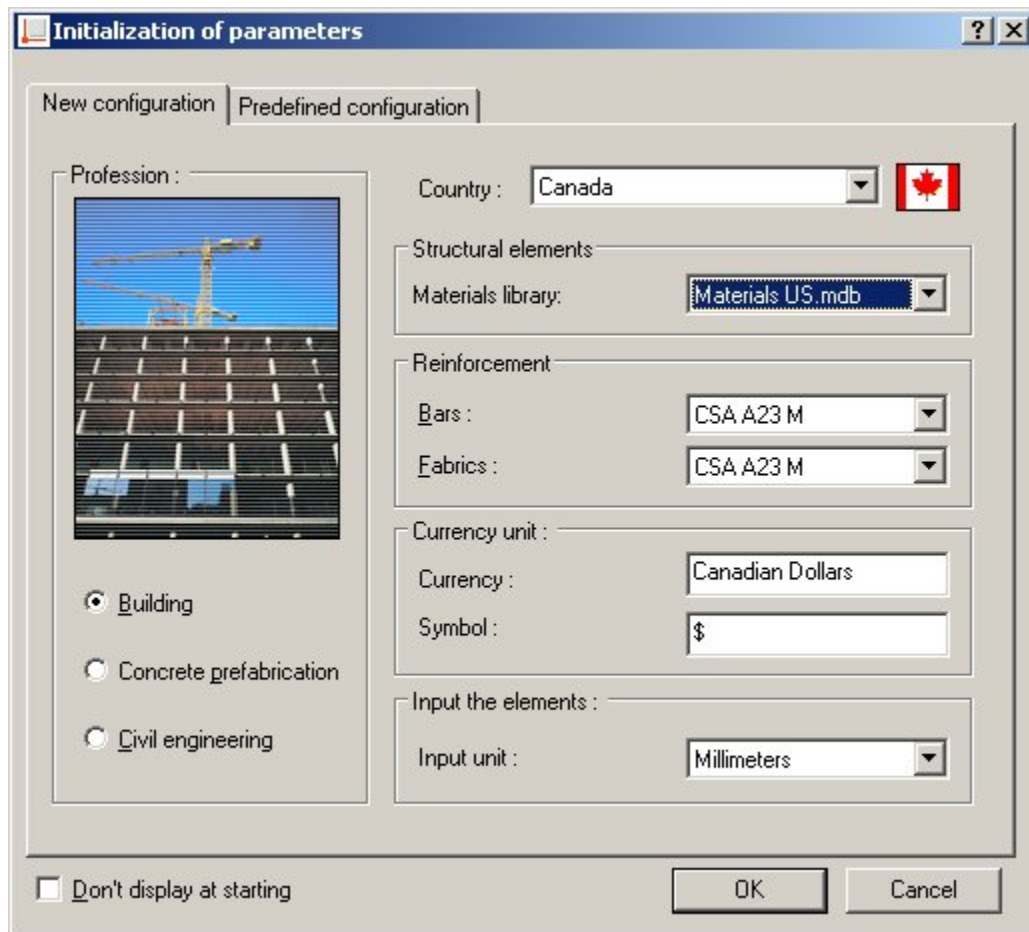


SETTINGS AND BROWSER

15. ZOOM KEEPING FOR GROUP VIEW

Switching between views will keep previous zoom also for view groups.

16. POSSIBILITY TO CHOOSE ANY MATERIAL CATALOG IN THE STARTUP DIALOG



17. TOOLBARS ON GERMAN VERSION

The problems with the flyout toolbar buttons in the German version have been corrected.



COMPATIBILITY

18. VIEWS ON EXTERNAL REFERENCES

The problems with views calculation on references to drawings saved prior to AutoCAD R10 have been fixed.

19. AUTOCAD 2005 HANG ON ORBIT CANCEL

There are no more problems pressing escape during orbit on AutoCAD 2005

20. PROBLEM LOADING DXF FILES FROM 4.4

The compatibility with Advance Concrete 4.4 dxf files has been restored.

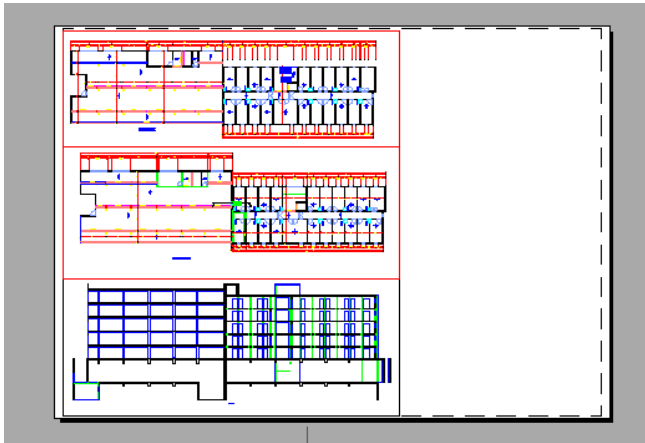
21. SAVE DXF FROM ADT

It is now possible to save correctly dxf files under ADT 2004/2005.

DOCUMENTS

22. USER-MADE VIEWPORTS WITH ADVANCE ENTITIES

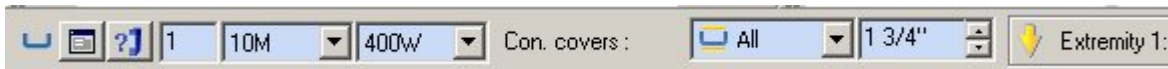
Advance structural entities are now visible also in user-created viewport.



REINFORCEMENT

23. DIALOG BAR HELP BUTTON

The help button on the bars dialog bar is working properly.

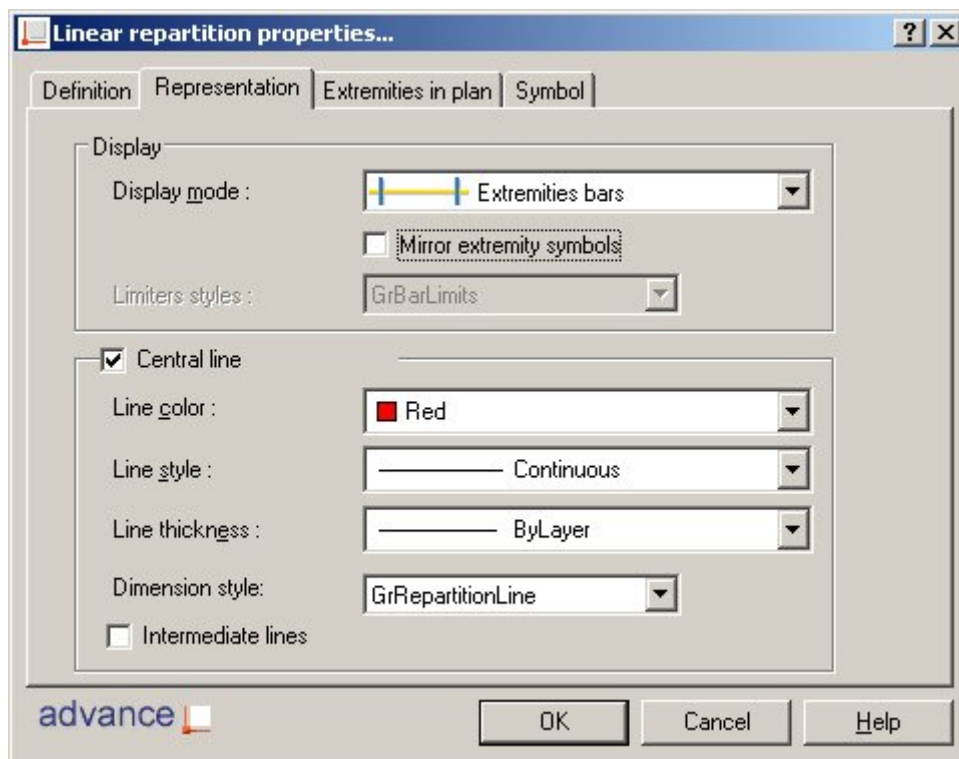


24. BREAK ON L AND U BAR

Several malfunctions using break on L and U bars have been corrected.

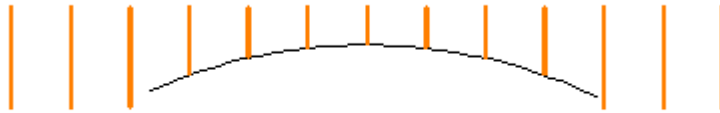
25. REPARTITION REPRESENTATION PAGE

It is possible to change the repartition representation mode during creation (and set it as default).



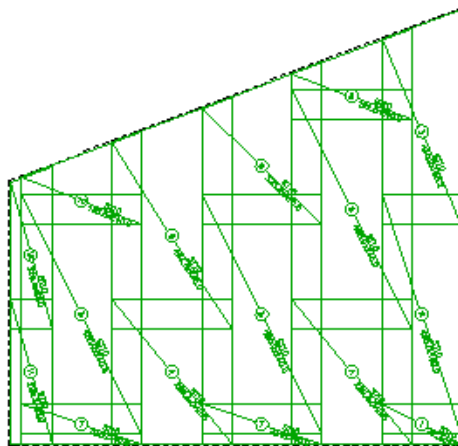
26. REPARTITION TRIM

Trimming repartitions with arc is now working correctly.



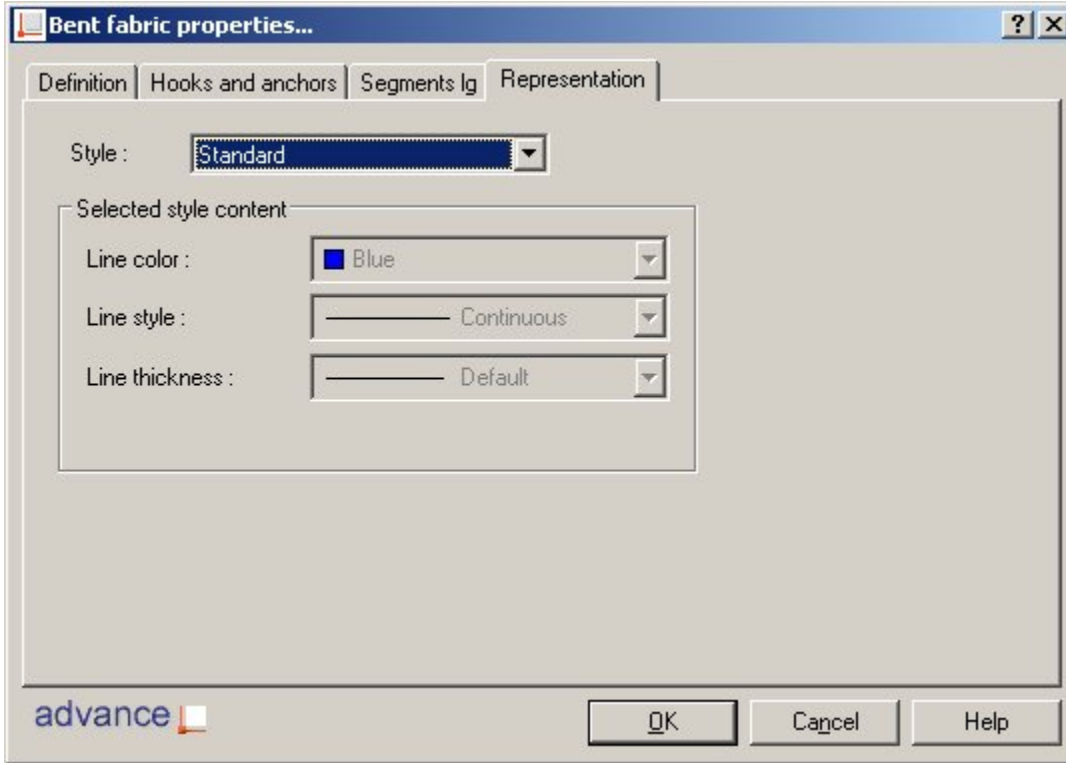
27. FABRICS SURFACE REPARTITION FOR DM96

The catalog values for overlapping of DM96 fabrics have been corrected. As a consequence the fabrics repartition on a surface is generates the correct fabrics.



28. BENT MESH REPRESENTATION STYLE


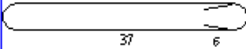
Changing the representation styles for bent fabrics is applied correctly.



29. SCHEDULES BENDING DETAIL WITH LINEAR-METER OPTION DISPLAYS TOTAL LENGTH

	GRAITEC SA Siège social 10 bis, Burospace 91572 BIEVRES (France)	TEL + 33 (0)1 69 85 56 22 FAX + 33 (0)1 69 85 33 70 www.graitec.com
-------------------------------------------------------------------------------------	---------------------------------------------------------------------------	---------------------------------------------------------------------------

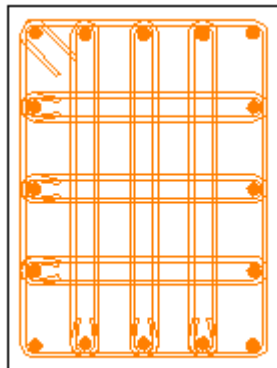
Nomenclature des barres

N°	Nombre	Nuance	∅	Longueur (m)	Poids (kg)	Total Long. (m)	Total Poids (kg)	Schéma	Esp. (m)
3	5	HA	12	1m	1.0	6m	4.9		
4	5	HA	8	1	0.4	5	1.8		0

AUTOMATIC REINFORCING WIZARDS

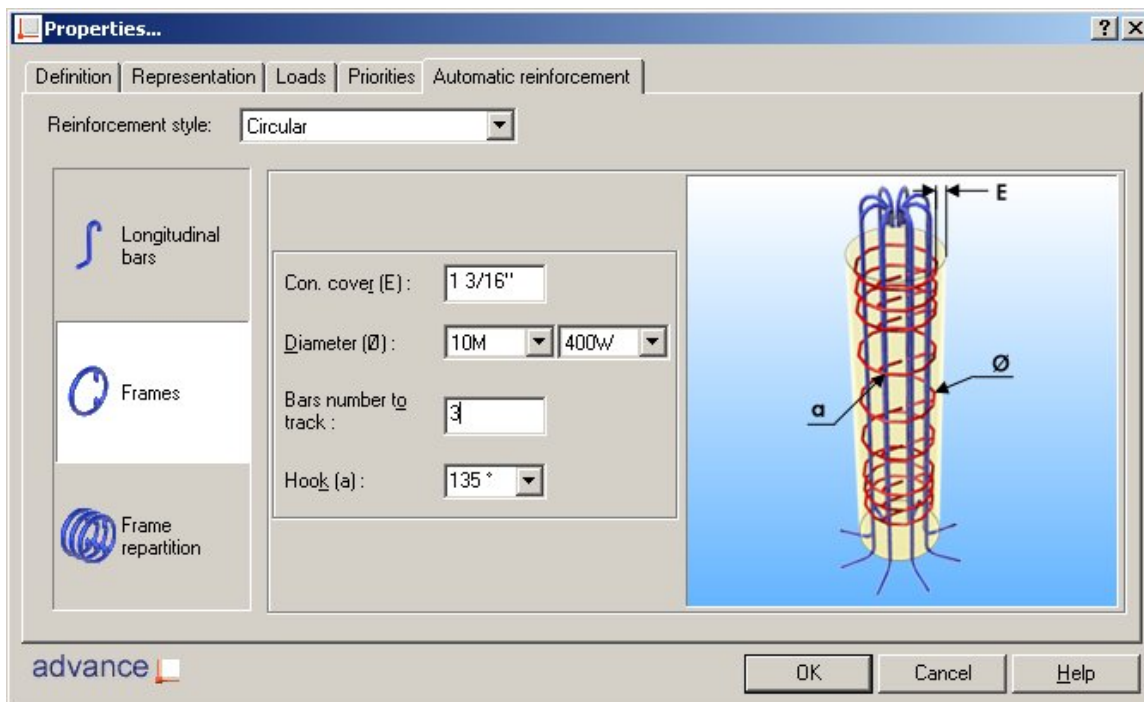
30. AUTOREBAR OUTPUT COSMETICS

Corrected bars alignment, quantitative repartitions positioning and others.



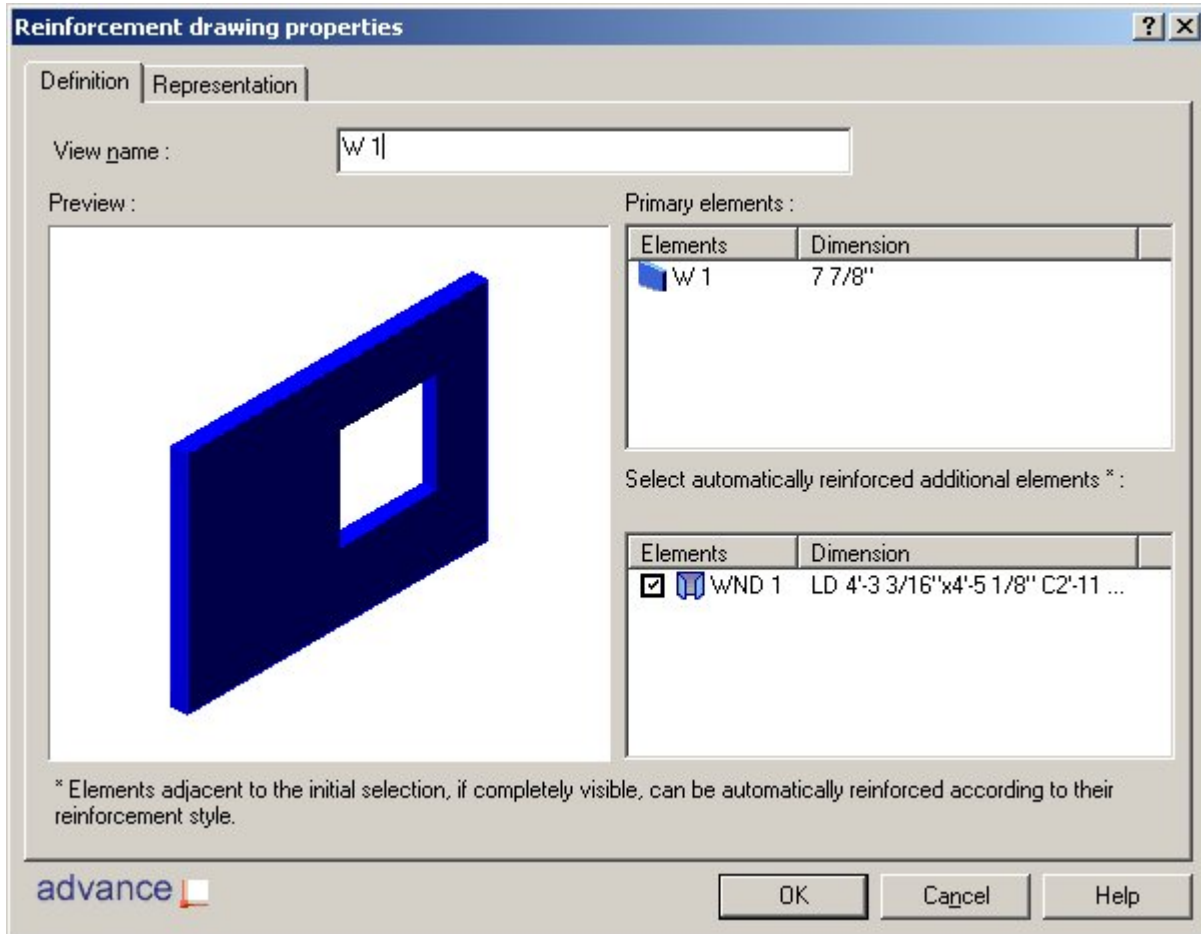
31. AUTOREBAR ON CIRCULAR COLUMNS

The number of bars to catch with hooks is correctly taken into account



32.OPTIONAL AUTOREBAR ON ADDITIONAL ELEMENTS

It is now possible to optionally generate bars on additional elements in reinforcement views



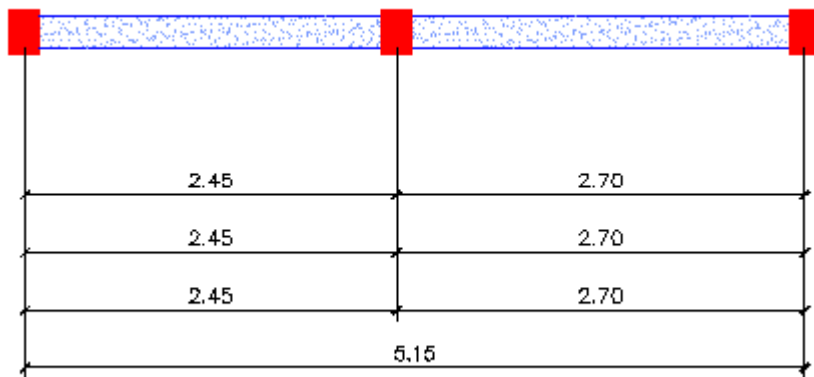
DRAFTING

33. DIMENSIONS: ADD/REMOVE POINTS

The problems with grtcmdim command on AutoCAD dimension lines have been corrected.

34. ASSOCIATIVE DIMENSION: BETWEEN AXES

Dimensioning with this option has been improved:

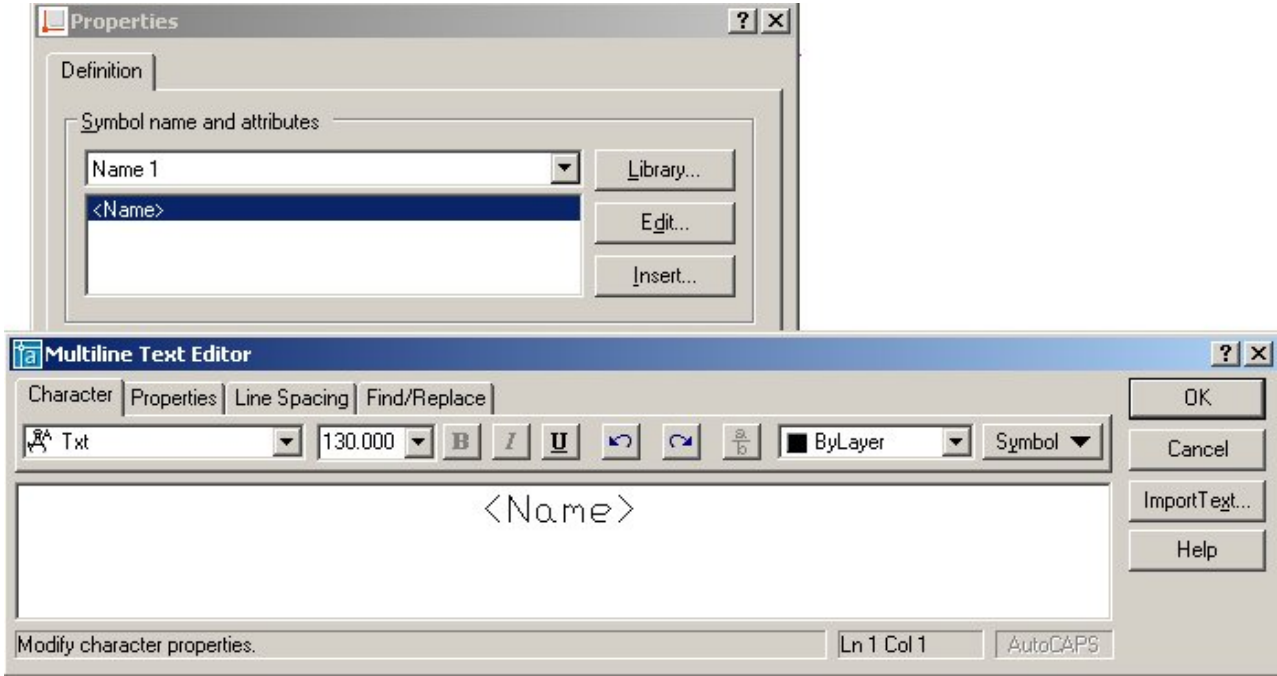


35. SYMBOLS AND INSERT / EXPLODE

Several problems with symbol positioning after blocks insertion are now fixed.

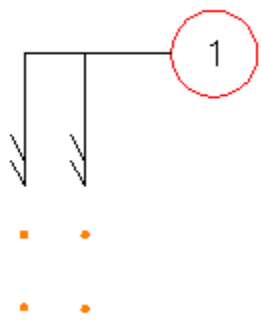
36. SYMBOLS COPY AND CUSTOMIZED ATTRIBUTES

Symbols text customizations are no longer lost after copying



37. RAKE SYMBOL

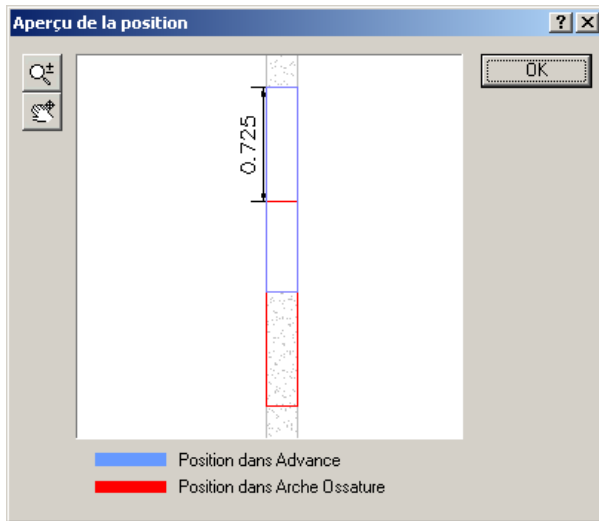
The arrows are now correctly positioned depending on distance and alignment.



ARCHE SYNCHRONIZATION

38. ARCHE SYNCHRONIZATION PREVIEW IMPROVEMENTS

Several dimensioning problems have been fixed in the coordinates modification preview.



+ other minor improvements...

Connect to the **Graitec Advantages** to download all these improvements with the Service Pack 1 of the Release 5.2!

<http://www.graitec.com/en>

