

# Advance Concrete 2010 SP1 What's new



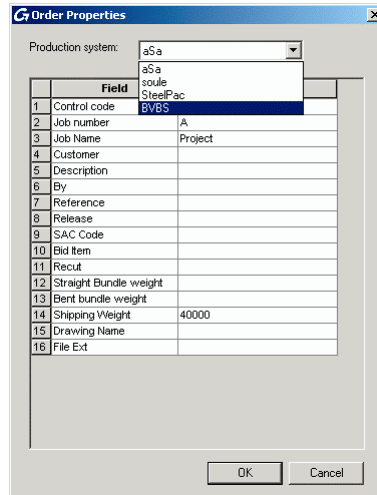
[www.graitec.com](http://www.graitec.com)

## Technology

### Material Quantities Manager: BVSB export

This functionality is available in the Premium package.

→ NC files can be created with BVBS format.



## REINFORCEMENT DRAWING

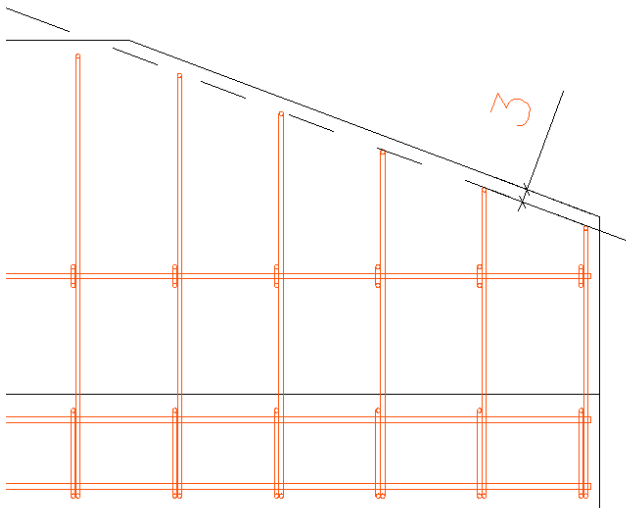
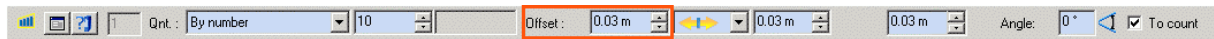
### Dynamic reinforcement for elements bound to surface

*This functionality is available in the Professional package.*

→ Dynamic reinforcement solutions can be defined and applied for elements bound to surfaces.

### Variable distribution – Better management of the concrete cover

→ The offset value in the “Smartbar” controls the concrete cover for all the sides of the distribution. The result is very accurate.



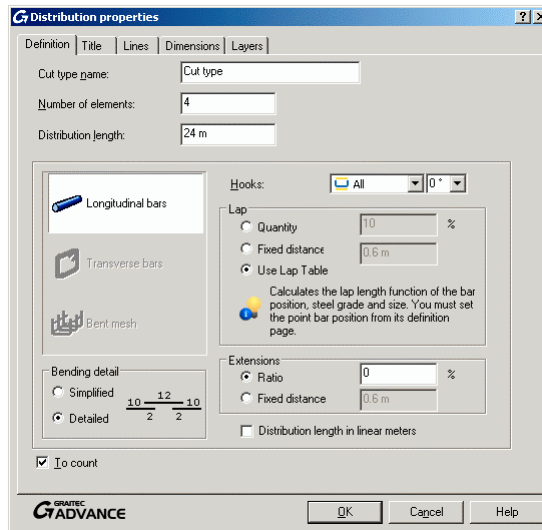
## Cut distribution – Different spacing for each transverse bar

→ It is possible to automatically use the values included in the lap table for linear bars in the cut distributions.

The lap length can be linked to:

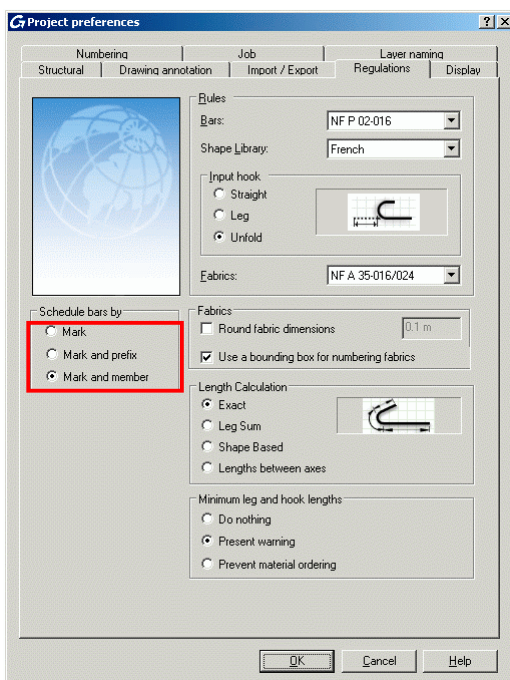
- The bar diameter
- The steel grade
- The bar position

### SECTION A



## Lists – Bars sorted by structural member

→ A new option in the Project preferences allows the display of the bars in reinforcement lists and schedules according to the structural elements to which the bars were assigned.



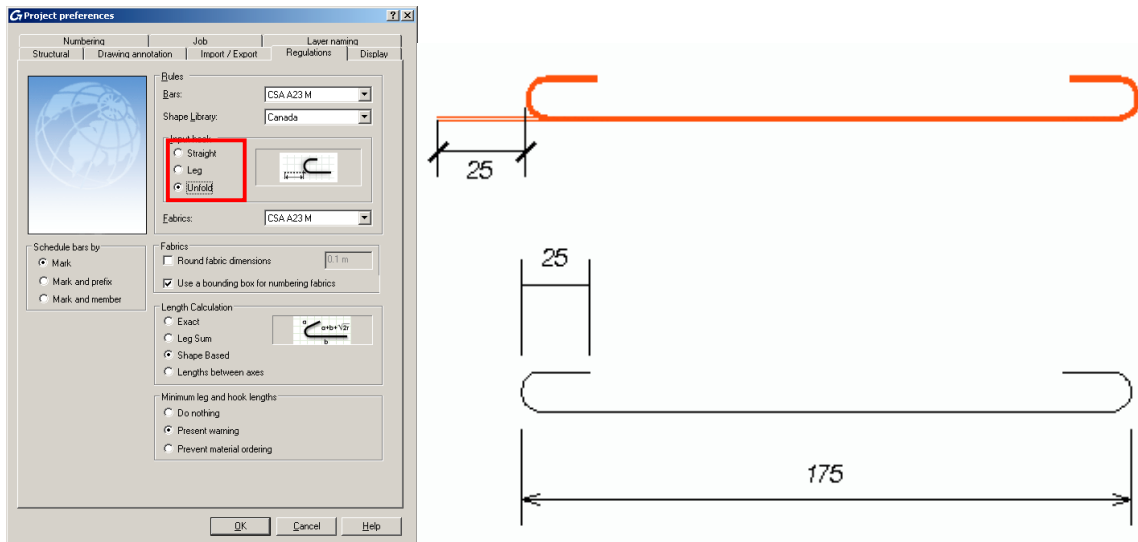
GRAITEC										
BAR LIST (Metrics)										
N°	Quantity	Designation	Ø	Length (m)	Weight (kg)	Total Length (m)	Total Weight (kg)	Bar Bends	Dist. (m)	
1	23	HA 8	8	111	8.44	2557	213		0.29	
3	4	HA 6	6	222	8.49	867	157		0.10	
4	8	HA 10	10	200	12.9	1680	907		0.10	
5	22	HA 6	6	847	8.39	1826	241		0.29	
7	3	HA 18	18	357	3.77	1131	95.8		0.05	
8	3	HA 9	9	329	3.26	957	370		0.05	
1	22	HA 8	8	111	8.44	2557	213		0.29	
2	3	HA 18	18	259	3.36	776	6.89		0.05	
3	4	HA 6	6	222	8.49	867	157		0.10	
4	8	HA 10	10	200	12.9	1680	907		0.10	
5	3	HA 8	8	221	8.57	662	268		0.05	
8	23	HA 6	6	847	8.39	1826	241		0.29	
							Average Diameter	Weight (kg)		
							8.5	71.20		

## Bending detail – New behavior

→ The bar bending detail always has the same scale as the bar definition.

## Bending detail – hook measurement

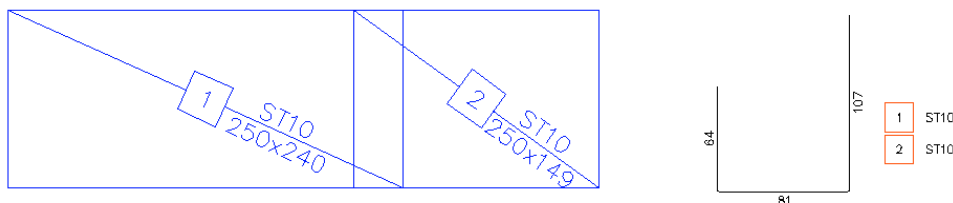
→ The bending detail displays the hook length, according to the option selected in the Project preferences.



## Bending detail – Improved annotation for bent meshes

→ Sometimes the last panel in the bent mesh distribution is not complete. So its mark is different from the current panel.

→ This has been improved so that this mark is visible in the bent mesh bending detail annotation.

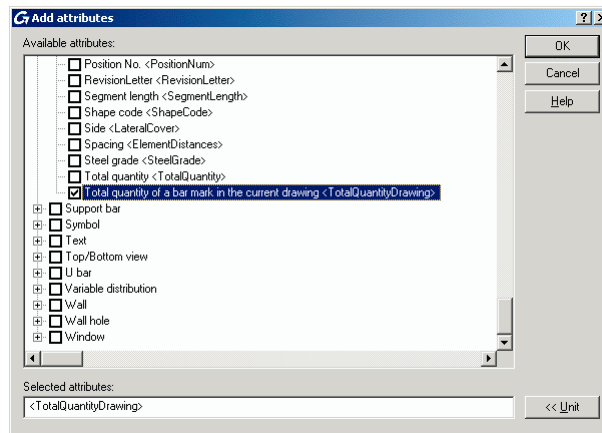


## Continuous coordinate dimension

A coordinate dimension relative to a defined origin or to the UCS can be created until the **Esc** key is pressed.

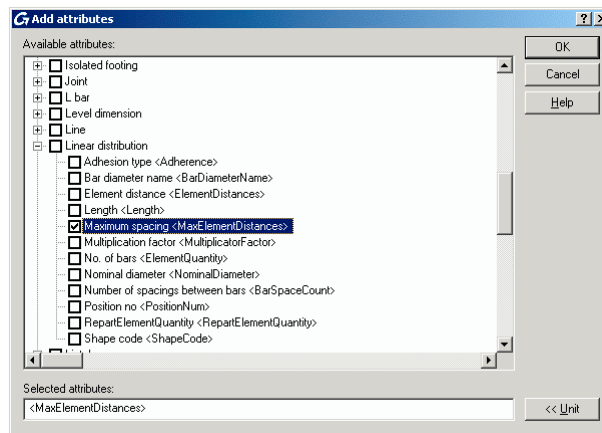
## Reinforcement symbol – new attribute

→ A new attribute has been implemented for the reinforcement bars. It allows the bar symbol to display the number of bars with the same mark within the current drawing.



## Reinforcement symbol – new attribute

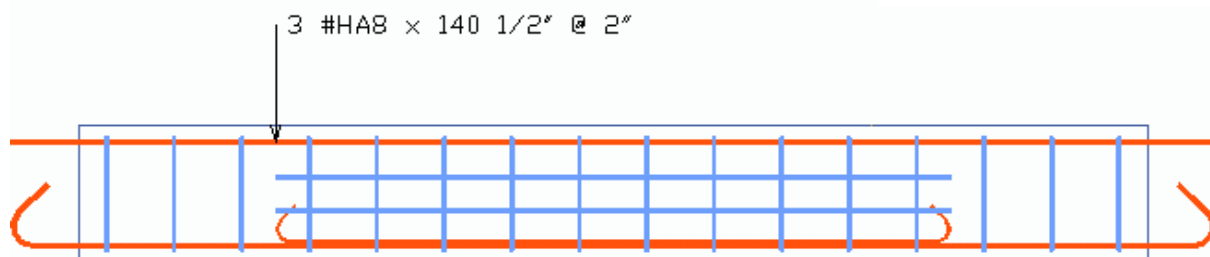
→ A new attribute has been implemented for the reinforcement bars. It allows the display of the maximum distance between the bars of a distribution in the reinforcement symbol.



## Symbols – Values in inch

The values can be displayed in inches in symbols using an appropriate syntax.

`<Length[in]> @ <ElementDistances[in]>`



## Better localization for Canada

- The bar library displays the name according to Canadian standards.
- New symbols have been developed specially for the Canadian market.

